

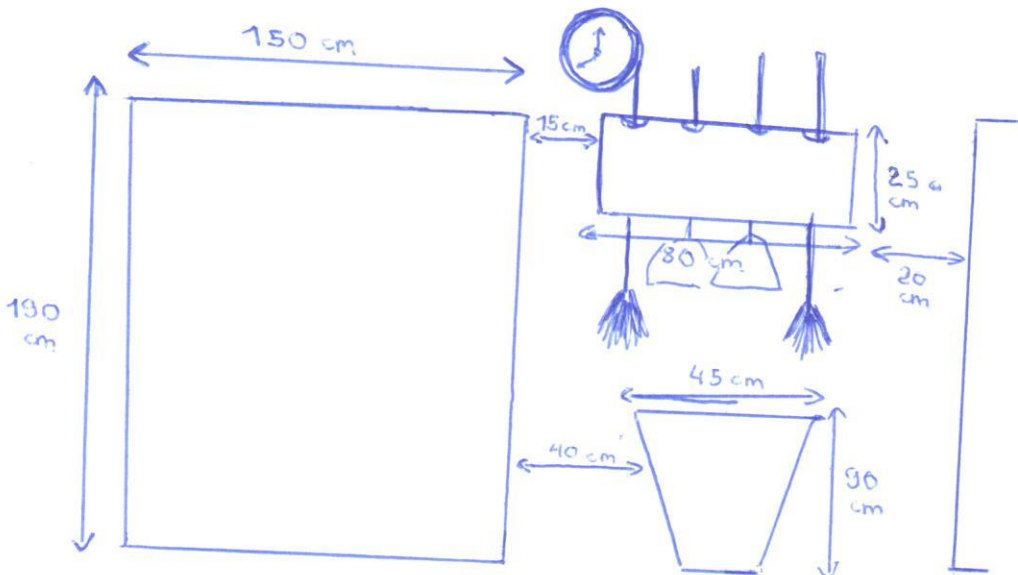
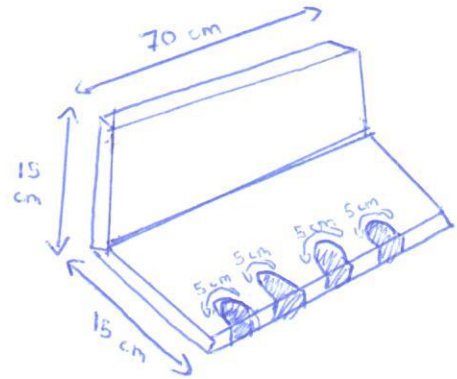
TECHNOLOGY

David Fernández Viedma
Valentina Ibañez
Waldo Claros Montaña
Cristina Calero Martín

2ºAB BILINGÜE

Project

Technology



Corrected Jessica.

INDEX

1°) First idea of ^{the} project.

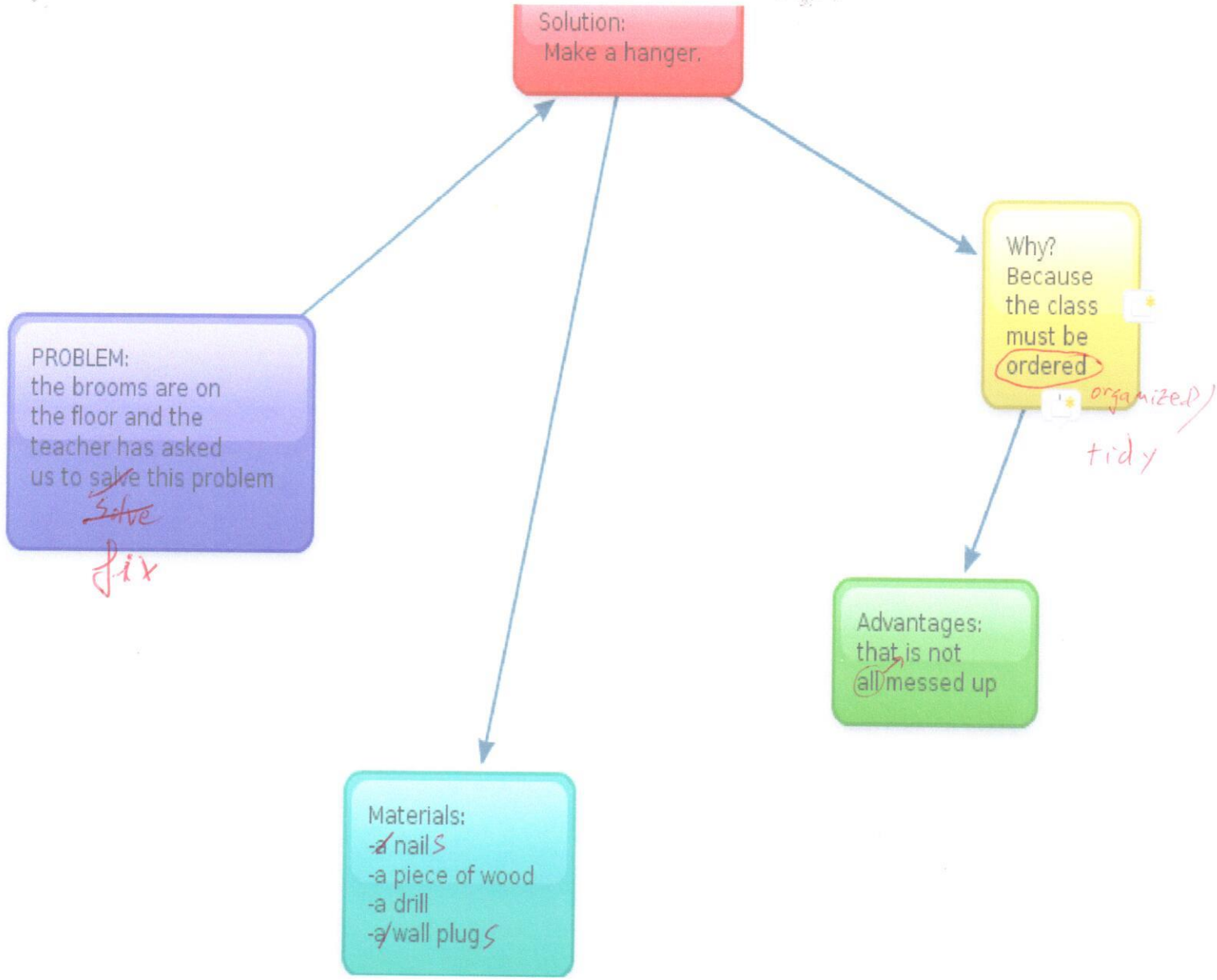
2°) Definitive idea of project.

3°) Problem we had.

4°) Drawing problem.

5°) Wood ^{plank} ~~top~~ with ~~your~~ measurements

6°) Final project.



Cristina Calero Martín
David Fernández Viedma
Valentina Ibañez
Waldo Claros

2ºA

PROBLEM:
The brooms are on the floor
and the teacher has asked
us to solve this problem.

SOLUTION:
Make a hanger.

Why?
Because the class
must be ordered.

ADVANTAGES:
That is not
all messed up.

MATERIALS:
15 tacks
2 wall plug
2 hollows
2 peg wood.

WE WILL USE:
1 saw
1 drill
1 hammer.

organized

Duplicated

Cristina Calero Martín
David Fernández Viedma
Valentina Ibañez
Waldo Claros

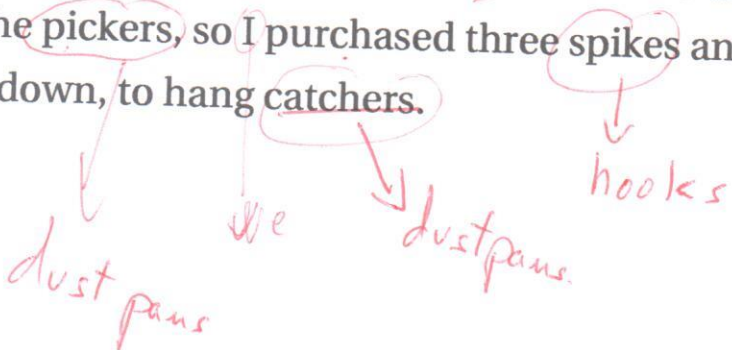
2ºA

Cristina Calero Martín
David Fernández Viedma 2ºA
Valentina Ibañez
Waldo Claros

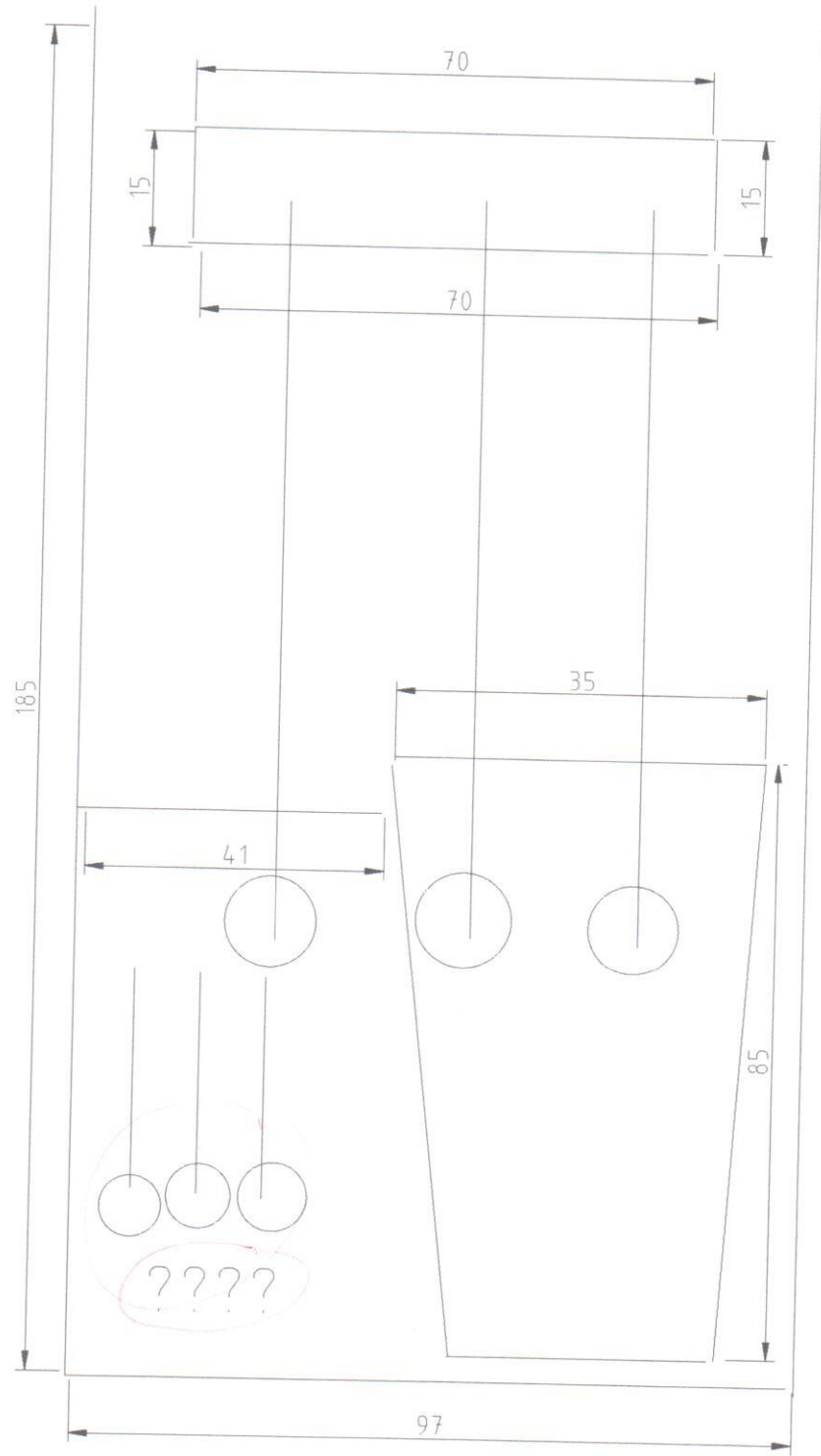
PROBLEM.

We had a problem. We originally wanted to make a few holes in the wood below, but could not because we lacked space. To solve this problem we ~~have~~^{made} three openings in the wood below, to get the brooms. Yet we were still having another problem ^{it?} was that we did not know where to put the pickers, so I purchased three spikes and nailed down ~~down~~^{them} on wood, face down, to hang catchers.

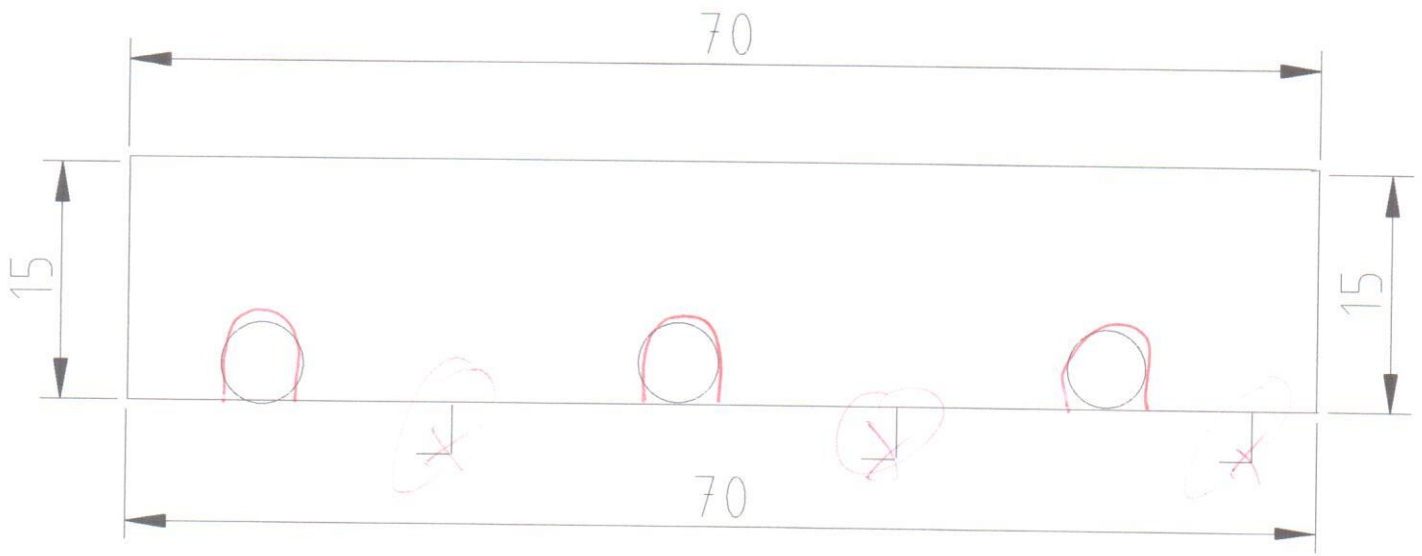
the



Cristina Calero Martín
David Fernández Viedma
Valentina Ibáñez
Waldo Clares



Cristina Calero Martín.
David Fernández Viedma
Valentina Ibañez.
Waldo Claros.



?

You need another view From below

Cristina Calero Martín.
David Fernández Viedma.
Valentina Ibáñez
Waldo Claros.

